

3D Projecting Signs

- 3-dimensional alternative to Flange Signs, for even greater impact
- Vibrant screen printed graphics
- Extremely cost-effective on high volumes (one-off tooling charge applies)
- Injection moulded 3D elements supported on a **steel/aluminium bracket/frame**
- Illuminated projecting signs available made to order (minimum order quantity: 100)



Made to order
Minimum order quantity: 500
(subject to sight of design)



Recyclable
ASA/polyethylene mouldings and
steel/aluminium bracket/frame

Standard Flag Kit

For wall mounting

- Tapered socket ensures excellent pole grip and prevents loss of flags in windy conditions
- Suitable for screw fixing to walls
- Kit includes **polypropylene bracket**, PVC pole, finial and collar
- Plain 'Display Flags' held in stock (750gsm **reinforced light block PVC**) – ideal for vinyl application and available printed to order
- Custom shaped flags also available (see page 83 for details)



In stock



Recyclable
Polypropylene bracket



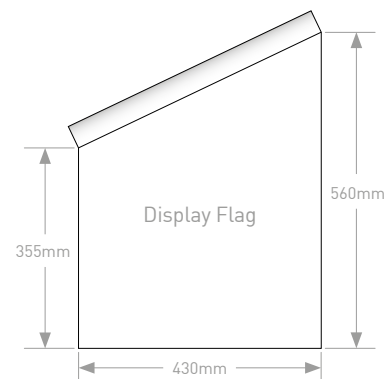
With printed Display Flag



PVC pole, collar and finial



Bracket



Item	Dimensions (mm)	Weight (kg)	Order Code
Standard Flag Kit (bracket, pole, finial and collar)	Bracket: 50 (w) x 117 (h) Pole: 750 (length) x 19 (dia.)	0.2	FLKIT
Display Flag	430 x 355 x 560	0.2	FLAGTRADE