

# Giant Pole

## Huge attention grabbing outdoor display

- High impact display for 1.1 x 4.1m textile flag
- Ideal for forecourts, shopping malls, exhibitions and events
- 2-part water-fillable polyethylene base for optimum stability (carry bag included)
- Telescopic aluminium pole with silver anodised finish (54mm diameter at base)
- Printed flags available to order (single and double-sided)



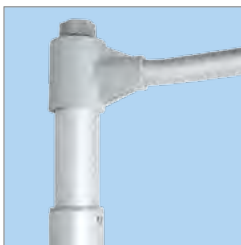
**In stock**  
Printed flags made to order



**6 minutes to assemble**



**Recyclable**  
Aluminium pole and polyethylene base



360° rotating flag arm



Telescopic pole



2-part folding base for ease of transportation



Water-fillable base with clip-in leg fixings



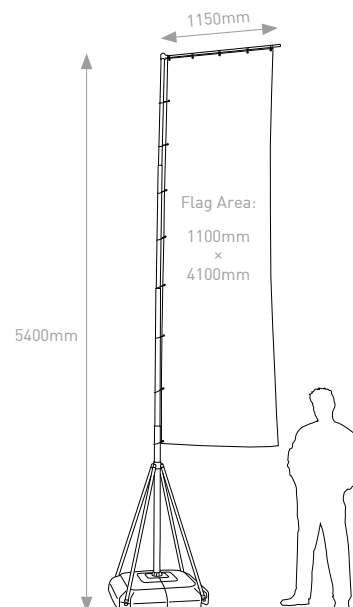
### Flags

Our standard flag material is a 115gsm close weave knitted polyester textile, chosen for its durability and image vibrancy. For optimum performance, a 135gsm 'airmesh' material is also available which, thanks to small holes in the fabric, presents less resistance in the wind.

All flags are printed by 'dye-sublimation' which uses special inks and undergoes a post-print heating process to 'fix' the ink into the fabric, making it scuff resistant and washable and maximising show-through on the reverse (the reverse being a mirror image of the design on the front).

### Double-Sided Flags

A twin layer of standard polyester fabric with central liner allows different designs on each side and a good level of opacity. Due to the added weight, double-sided flags will not flutter in the wind in the same way as standard flags.



Item	O/A Dimensions (w x h x d mm)	Weight (kg) Empty/Full	Availability	Order Code
Giant Pole hardware (exc. Flag)	Base: 800 x 180 x 800 O/A height: 5.4m	15/70	In stock	GIANTPOLE
Printed Flag	1100 x 4100	-	Made to order	GIANTBANNER